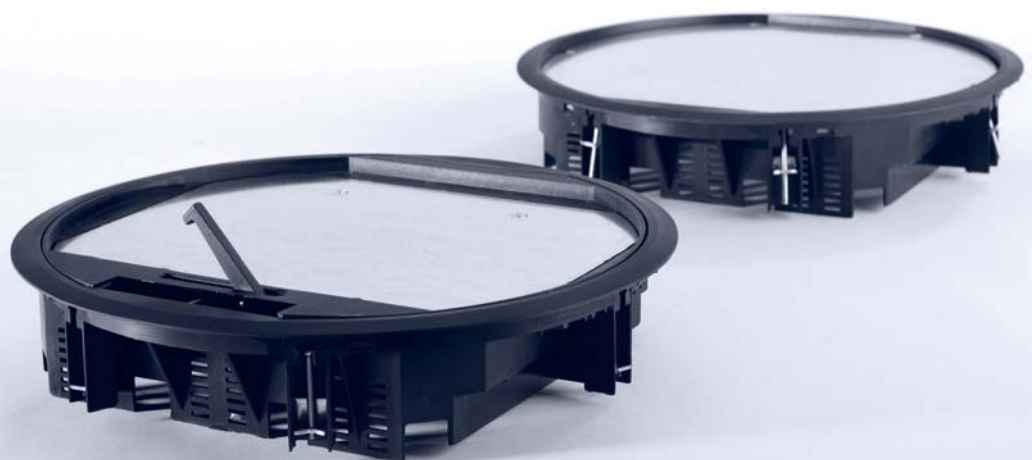


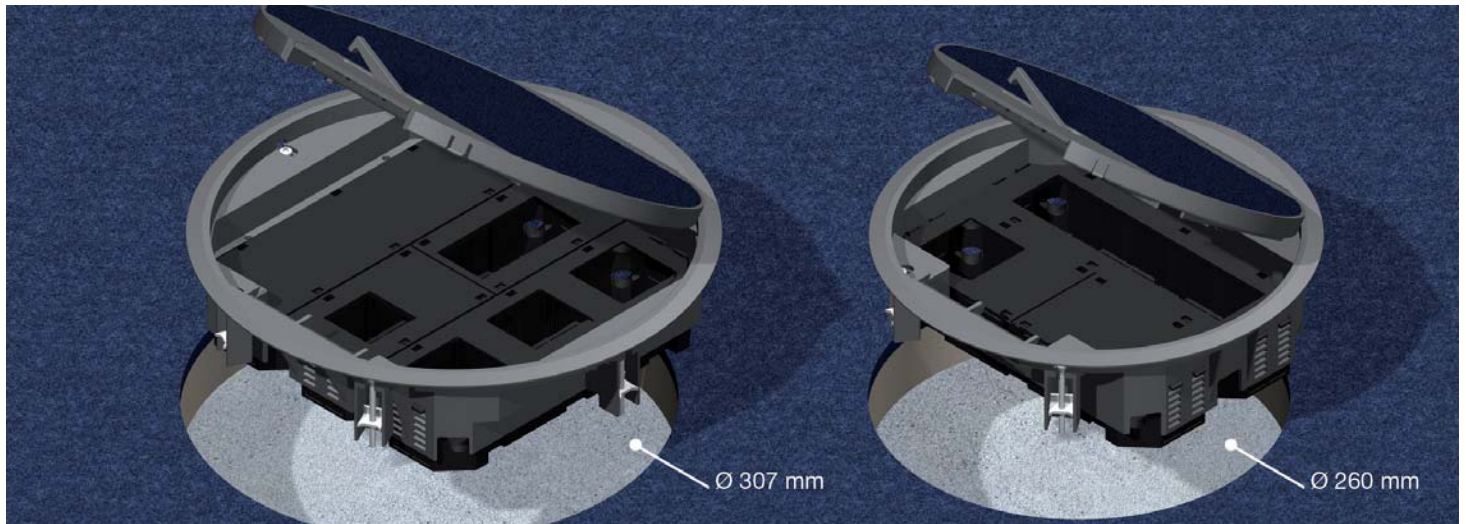


**Installation units
made of plastic, round**
Assembly instruction

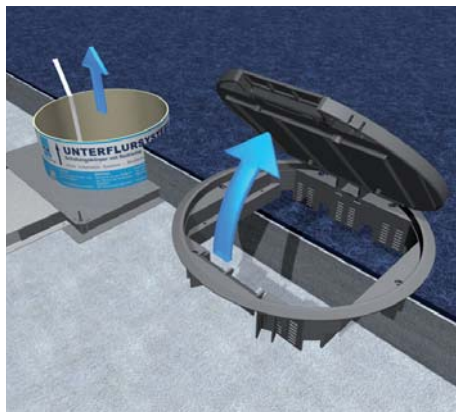


Installation units made of plastic, round

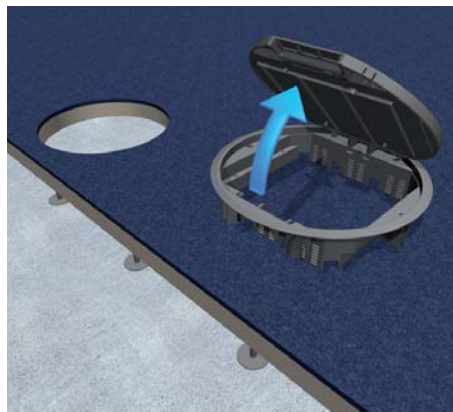
Assembly instruction



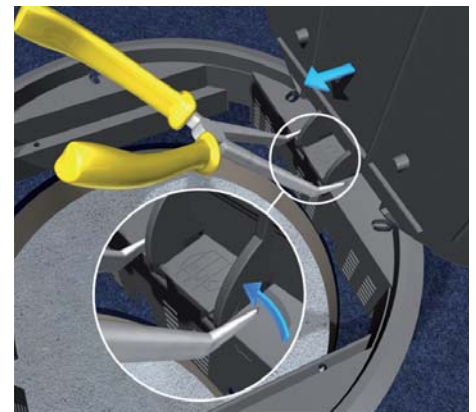
Round installation units, external diameter Ø 305 or Ø 258 mm, for installation of up to three device containers.



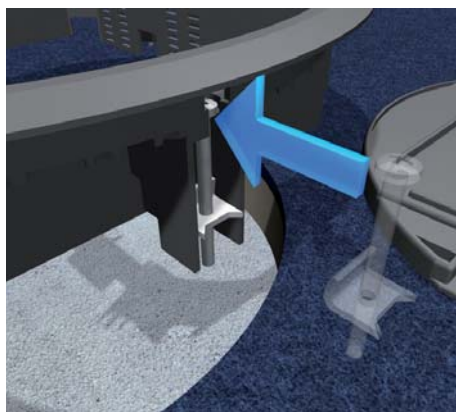
1 | Screed floors
For screed covered systems remove shuttering unit and mount directly into the opening.



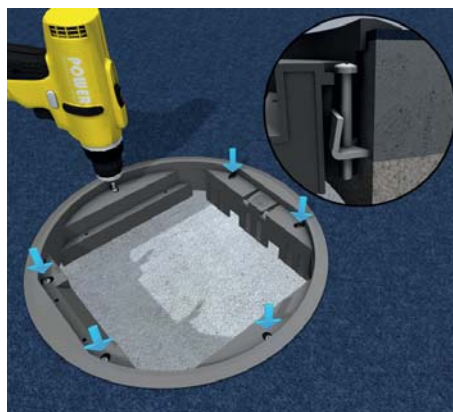
2 | Hollow space- and raised floors
For hollow space and raised floors mount directly into the installation opening.



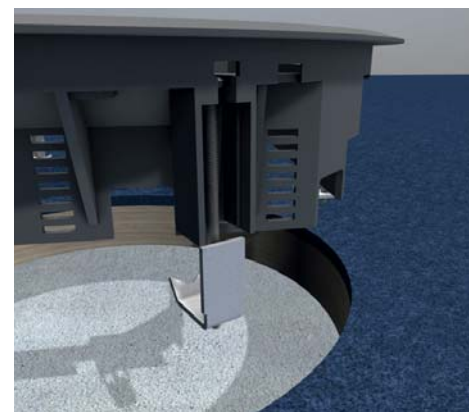
3 | Remove hinged cover
Open cover completely, pull hinge joint firmly out with tongs until the snap tabs are released from the frame. Remove cover to the front.



4 | Mounting claws
Mount the enclosed standard claw fasteners (range of claws 30 to 50 mm) into the acceptance in the frame.



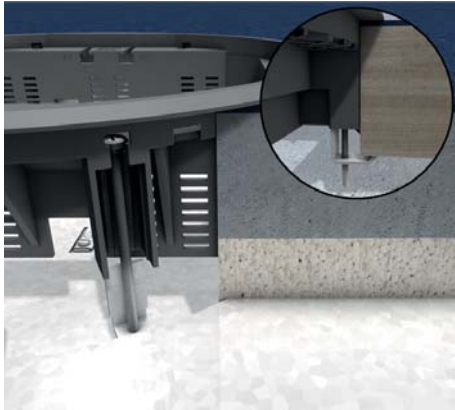
5 | Fastening the installation frame
Insert frame into installation opening from the top and tighten the pre-assembled claws with a crosshead screw. Check to ensure that the frame fits tightly.



6 | Claws
Custom model applications require the use of claw UDKS 40-80. If that is the case, the pre-assembled claws are removed and replaced. Turn claw body so that the frame can be inserted from the top.

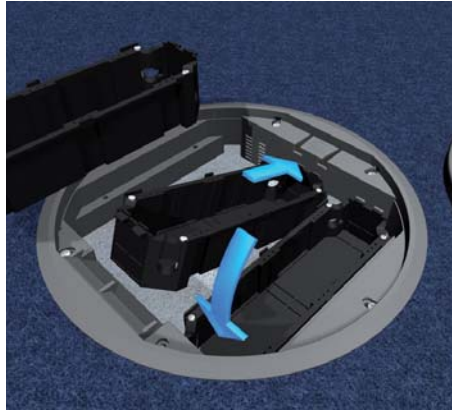
Installation units made of plastic, round

Assembly instruction



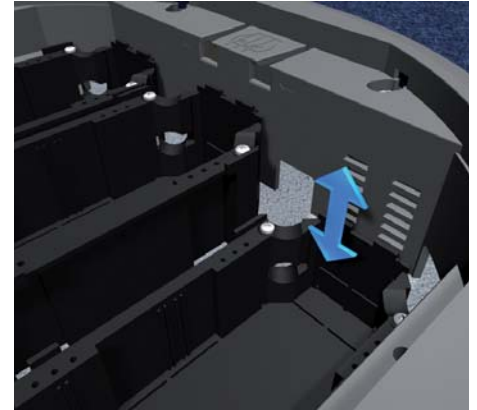
7 | The use of claws

The claws UDKS 40-80 stretch under the raised floor panel, into the screed or into the cover plate of the floor box.



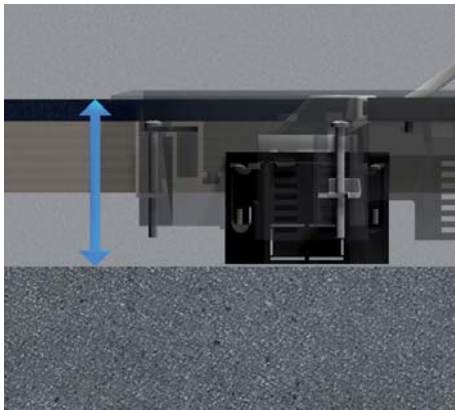
8 | Inserting device containers

Click device containers as deep as possible into the lock-in leads.



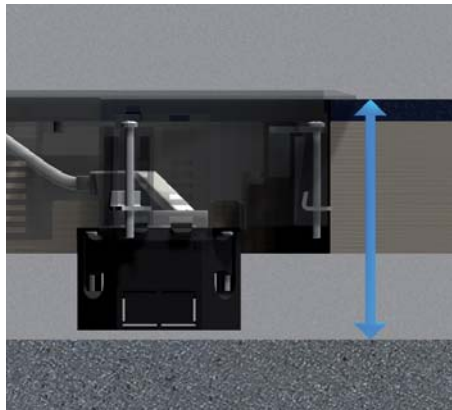
9 | Lock-in leads

For lowering the device container gradually down to 30 mm.



10 | Minimum installation height

Minimum installation height 74 mm and 87 mm for device plugs up to H = 35 mm.



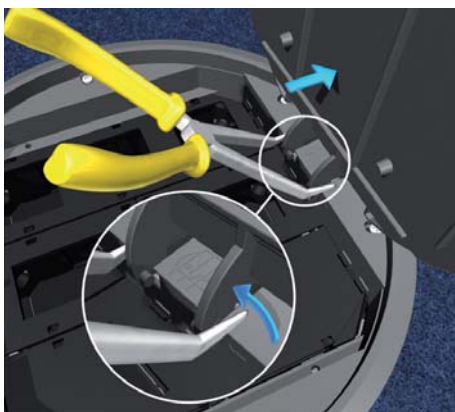
11 | Maximum installation height

Maximum installation height 104 mm for device plugs up to H = 50 mm.



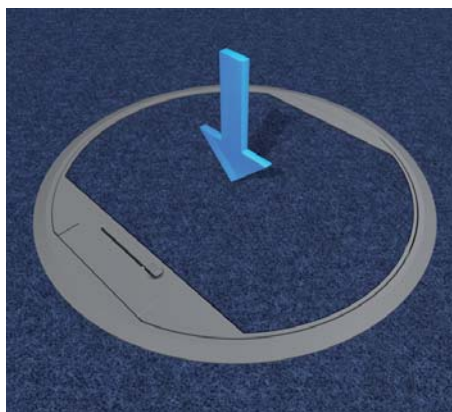
12 | Loosen device container

Insert screwdriver or mounting lever between frame and device container. Loosen snap tab and remove device container.



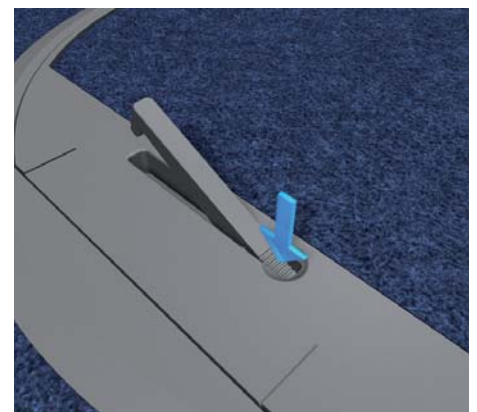
13 | Insert hinged cover

Push hinge joint together with tongs until the snap tabs lock into the opening in the frame. Insert cover to the back into the frame.



14 | Glue in bottom covering

Cut bottom coverings up to 8 mm accurately fitting and glue to the steel insert. Optional lid insert H = 3 mm.

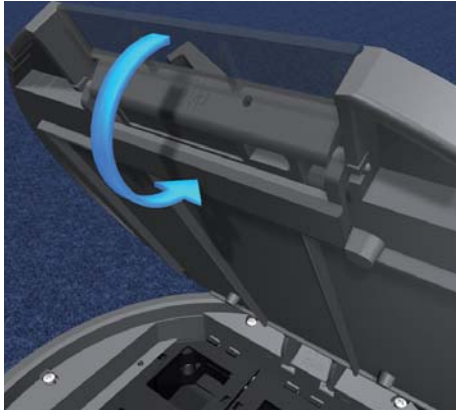


15 | Opening lever

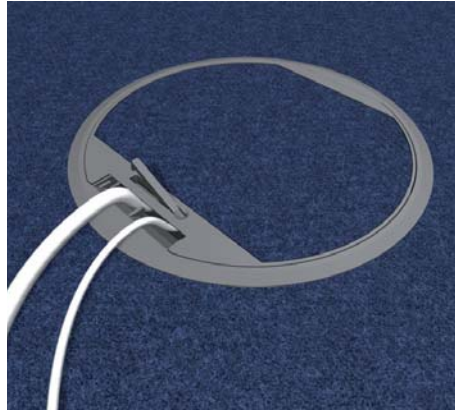
Self-locking opening lever behind the cable outlet.

Installation units made of plastic, round

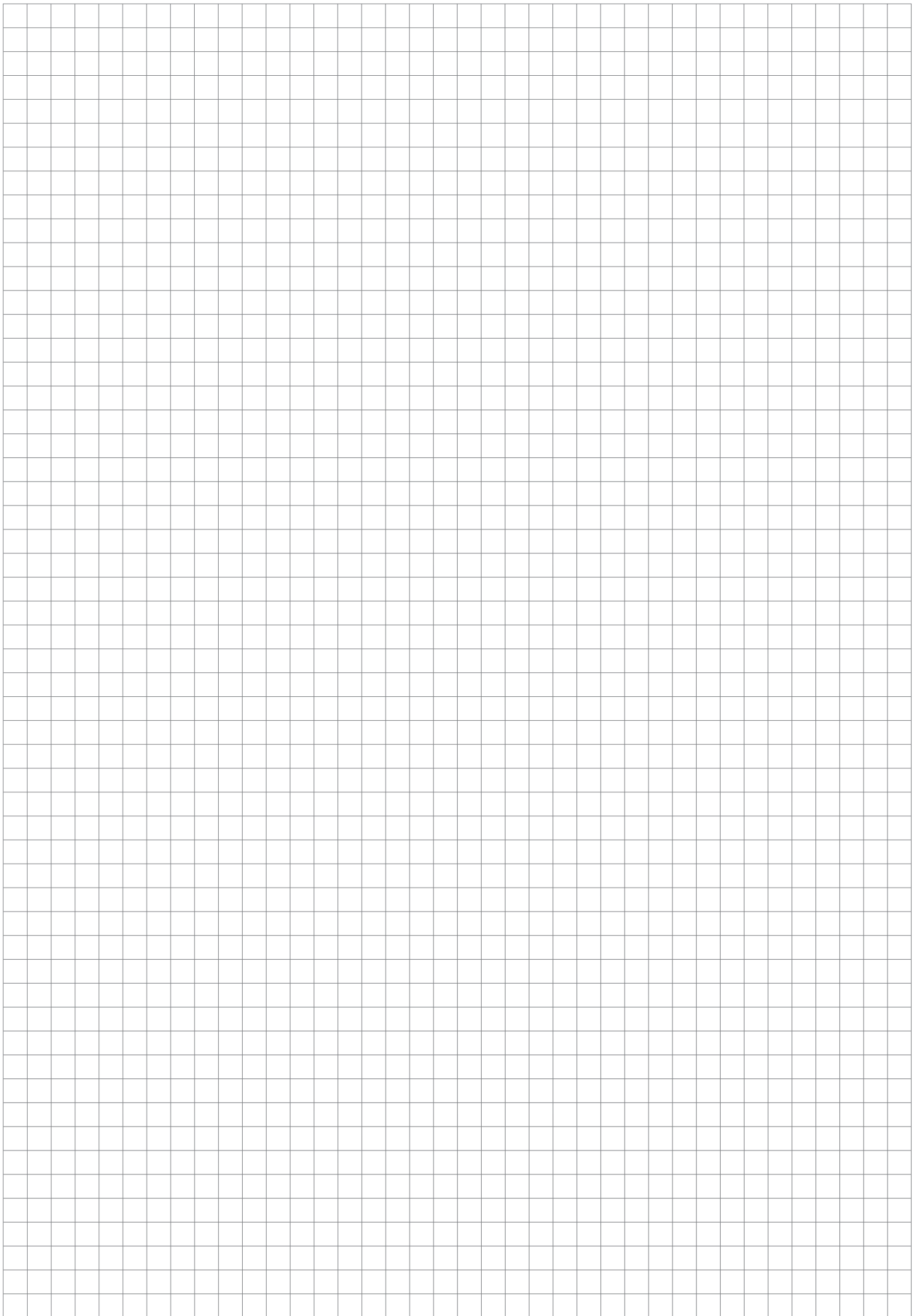
Assembly instruction



16 | Cable outlet
Swing around carriage cover by 180° and snap in.



17 | Leading cables through
Leading cables through the open cable outlet.





Errors and technical modification subject to change, reproduction as well as electronic duplication only with our written permission. With appearance of this print all preceding documents lose their validity.

